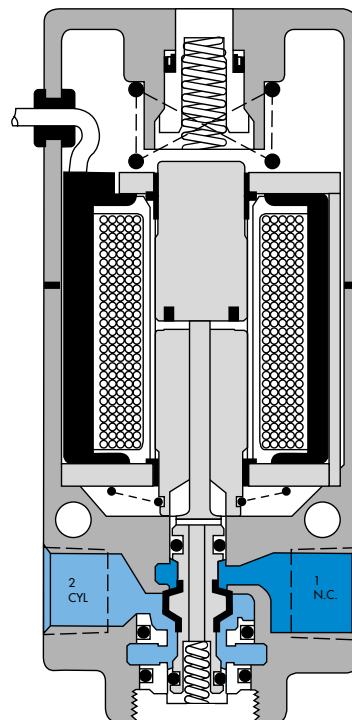


Individual mounting

inline	
--------	--

Manifold mounting

sub-base	sub-base with pressure regulators
----------	-----------------------------------



Function	Port size	Flow (Max)	Individual mounting
3/2 NO-NC, 2/2 NO-NC	G1/8" - G1/4"	500 NI/min	inline

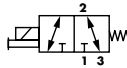
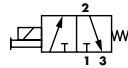
OPERATIONAL BENEFITS

1. Balanced poppet, immune to variations of pressure.
2. Short stroke with high flow.
3. The patented solenoid develops high shifting forces.
4. Powerful return spring.
5. Manual operator standard on all valves.
6. Burn-out proof solenoid on AC service.



HOW TO ORDER

Reset

Port size	Universal valve	NC only valve
		
G1/8"	224B- XXYYZZ Mod 005	274B- XXYYZZ Mod 005
G1/4"	225B- XXYYZZ Mod 005	275B- XXYYZZ Mod 005

SOLENOID OPERATOR >

XX Y ZZ*

XX Voltage	Y Manual operator	ZZ Electrical connection
11 110V~/50Hz	1 Non-locking	JA Square connector
12 220V~/50Hz	2 Locking	JC Square connector with light
22 24V~/50Hz		BA Flying leads (45 cm)
52 24V=/2,5W		
78 24V=/24W		
61 24V=/8,5W		

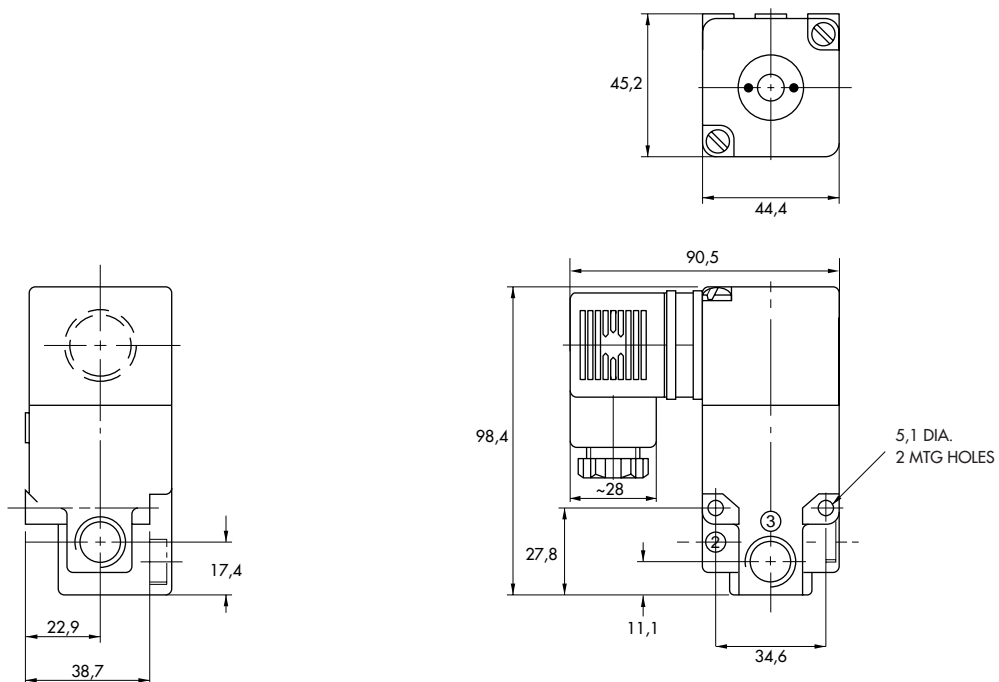
TECHNICAL
DATA

Fluid :	Compressed air, vacuum, inert gases
Pressure range :	Vacuum to 10 bar
Lubrication :	Not required, if used select a medium aniline point lubricant (between 80°C and 100°C)
Filtration :	40 µ
Temperature range :	-18°C to +60°C
Orifice :	4.8 mm
Flow (at 6 bar, ΔP=1bar) :	500 Nl/min (C _v 0.5)
Leak rate :	50 cm ³ /min
Coil :	Epoxy encapsulated - class A wires - 100% ED (specify mod 0449)
Voltage range :	-15% to +10% of nominal voltage
Protection :	IP 65
Power :	- Inrush : 33 VA Holding : 19.7 VA = 1 to 24 W
Response times :	24 V= / 8.5 W Energize : 15 ms De-energize : 5 ms 50Hz / 6 W Energize : 3-8 ms De-energize : 3-13 ms

Spare parts : • Solenoid operator (power ≥ 6 W) : D4-XXYZZ, including mounting screws 32222 and seal B5-6001.

Options : • NPTF threads. • Explosion-proof model.

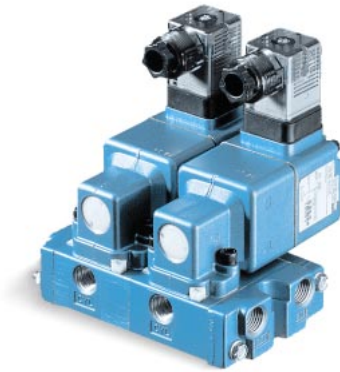
DIMENSIONS



Function	Port size	Flow (Max)	Manifold mounting
3/2 NO-NC, 2/2 NO-NC	G1/8" - G1/4"	450 NI/min	sub-base

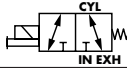

OPERATIONAL BENEFITS

1. Balanced poppet, immune to variations of pressure.
2. Short stroke with high flow.
3. The patented solenoid develops high shifting forces.
4. Powerful return spring.
5. Manual operator standard on all valves.
6. Burn-out proof solenoid on AC service.



HOW TO ORDER

Reset

Port size	Universal valve	NC only valve
		
Valve less base	250B- XXYZZ	280B- XXYZZ
G 1/8" base	256B- XXYZZ Mod 005	286B- XXYZZ Mod 005
G 1/4" base	257B- XXYZZ Mod 005	287B- XXYZZ Mod 005

SOLENOID OPERATOR >

XX Y ZZ*

XX	Voltage	Y	Manual operator	ZZ	Electrical connection
11	110V~/50Hz	1	Non-locking	JC	Square connector with light
12	220V~/50Hz	2	Locking	JA	Square connector
22	24V~/50Hz			BA	Flying leads (45 cm)
52	24V=/2,5W				
78	24V=/24W				
61	24V=/8,5W				

End plate kit (Port size : G1/4") : A2-5003-01P

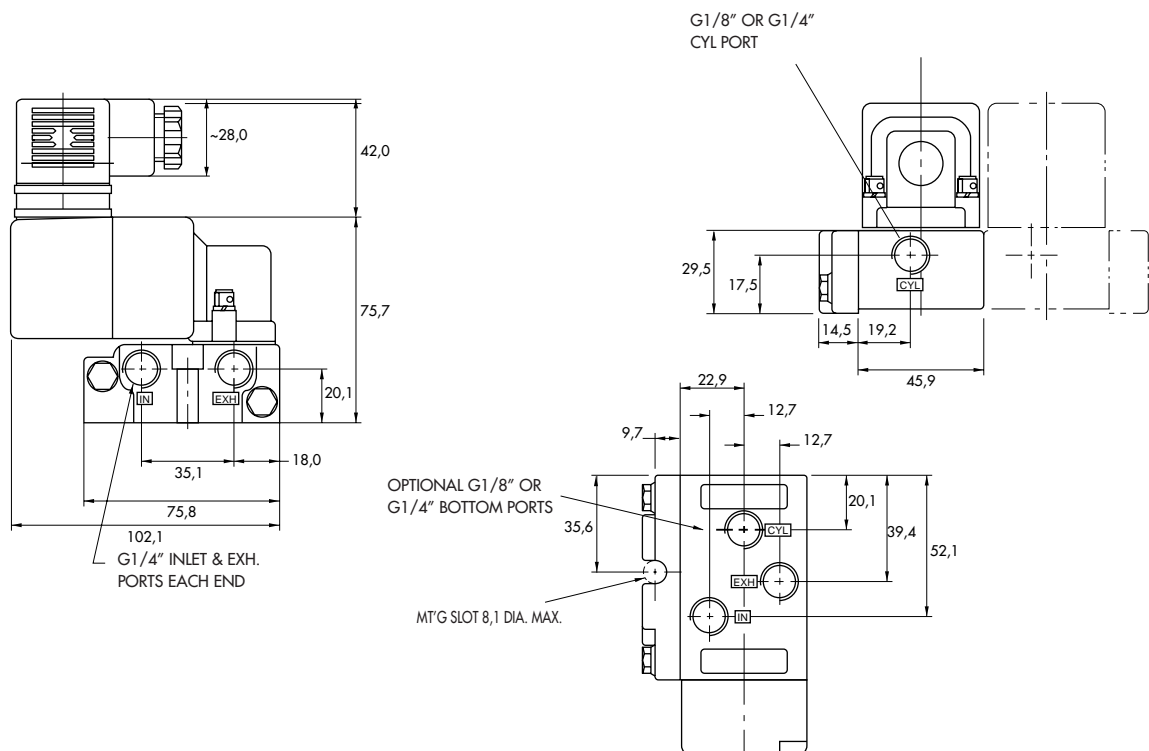
TECHNICAL
DATA

Fluid :	Compressed air, vacuum, inert gases		
Pressure range :	Vacuum to 10 bar		
Lubrication :	Not required, if used select a medium aniline point lubricant (between 80°C and 100°C)		
Filtration :	40 µ		
Temperature range :	-18°C to +60°C		
Orifice :	4.8 mm		
Flow (at 6 bar, ΔP=1bar) :	450 Nl/min (C _v 0.45)		
Leak rate :	50 cm ³ /min		
Coil :	Epoxy encapsulated - class A wires - 100% ED (specify mod 0449)		
Voltage range :	-15% to +10% of nominal voltage		
Protection :	IP 65		
Power :	~ Inrush : 33 VA	Holding : 19.7 VA	
	= 1 to 24 W		
Response times :	24 V= / 8.5 W	Energize : 15 ms	De-energize : 5 ms
	50Hz / 16 W	Energize : 3-8 ms	De-energize : 3-13 ms

Spare parts :
 • Solenoid operator (power ≥ 6 W) : D4-XXYZZ, including mounting screws 32222 and seal B5-6001.
 • Function plate : A2-7005. • Seal between bases : B5-5010. • Tie-rod (x2) : B4-9004.

Options :
 • NPTF threads. • Explosion-proof model. • Isolation of inlet and/or exhaust.

DIMENSIONS



Function	Port size	Flow (Max)	Manifold mounting
3/2 NO-NC, 2/2 NO-NC	G 1/8" - G 1/4"	400 NI/min	sub-base with pressure regulators



OPERATIONAL BENEFITS

1. Balanced poppet, immune to variations of pressure.
2. Short stroke with high flow.
3. The patented solenoid develops high shifting forces.
4. Powerful return spring.
5. Manual operator standard on all valves.
6. Burn-out proof solenoid on AC service.



HOW TO ORDER

Reset

Port size	Universal valve	NC only valve
		
Valve less base	250B- XXYZZ	280B- XXYZZ
G 1/4" base	252B- XXYZZ Mod 005	282B- XXYZZ Mod 005

SOLENOID OPERATOR >

XX Y ZZ*

XX	Voltage	Y	Manual operator	ZZ	Electrical connection
11	110V~/50Hz	1	Non-locking	JA	Square connector
12	220V~/50Hz	2	Locking	JC	Square connector with light
22	24V~/50Hz			BA	Flying leads (45 cm)
52	24V=/2,5W				
78	24V=/24W				
61	24V=/8,5W				

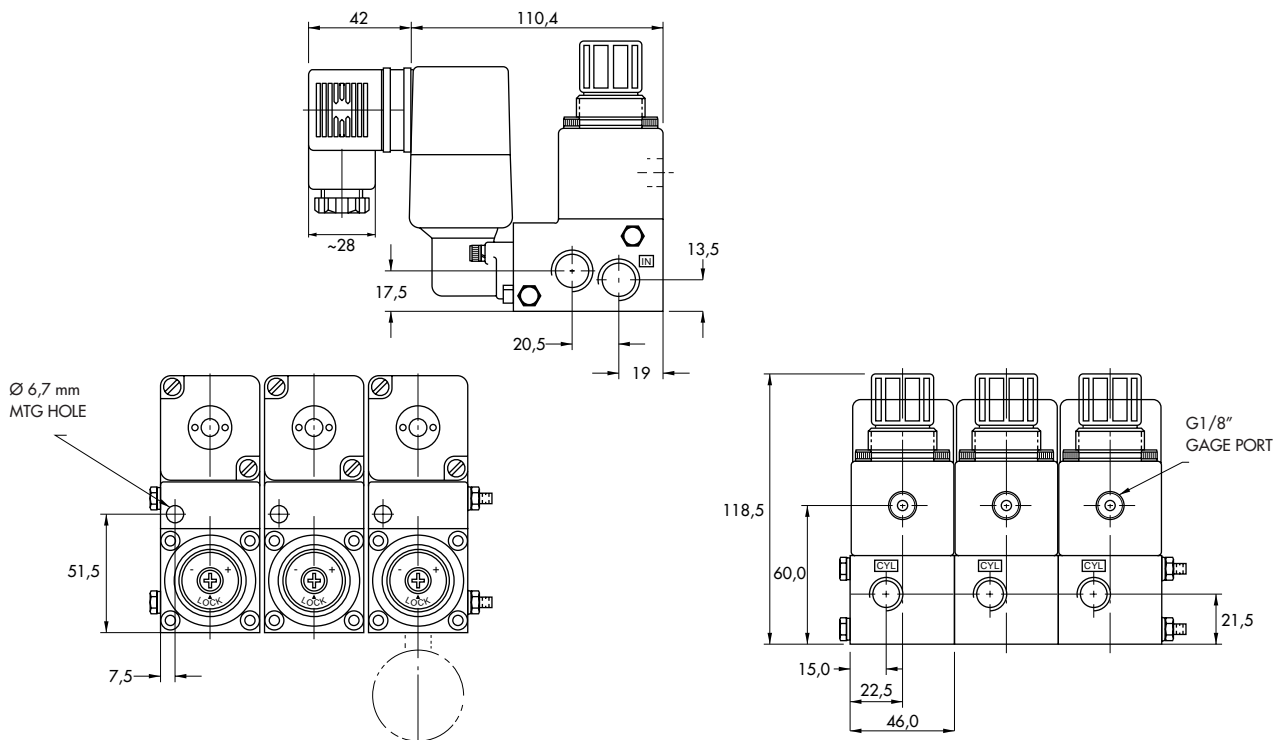
Manifold fastening kit : N-02003

**TECHNICAL
DATA**

Fluid :	Compressed air, vacuum, inert gases		
Pressure range :	Vacuum to 10 bar		
Lubrication :	Not required, if used select a medium aniline point lubricant (between 80°C and 100°C)		
Filtration :	40 µ		
Temperature range :	-18°C to +60°C		
Orifice :	4.8 mm		
Flow (at 6 bar, ΔP=1bar) :	400 Nl/min (C _v 0.40)		
Leak rate :	50 cm ³ /min		
Coil :	Epoxy encapsulated - class A wires - 100% ED (specify mod 0449)		
Voltage range :	-15% to +10% of nominal voltage		
Protection :	IP 65		
Power :	~ Inrush : 33 VA	Holding : 19.7 VA	
	= 1 to 24 W		
Response times :	24 V= /8.5 W	Energize : 15 ms	De-energize : 5 ms
	50Hz/16 W	Energize : 3-8 ms	De-energize : 3-13 ms

- Spare parts :
- Solenoid operator (power ≥ 6 W) : D4-XXYZ, including mounting screws 32222 and seal B5-6001.
 - Function plate : A2-7005. • Seal between bases (x2) : 17016-01. • Tie-rod (x2) : B4-9004. • Pressure regulator : PR82A-J0AA.
- Options :
- NPTF threads. • Explosion-proof model. • Isolation of inlet and/or exhaust.

DIMENSIONS



Codification table for voltages / Manual operator / Electrical connection / Wire length

VALVE CODE >

-XX Y ZZ (-VV)
1 2 3 4

OPTIONS AVAILABLE FOR	OPTIONS AVAILABLE FOR
<ul style="list-style-type: none"> - valves type 100 Series - pilot valves "CNOMO" 	<ul style="list-style-type: none"> - valves type 200 Series
<ul style="list-style-type: none"> - Pilot operated valves with pilots type 100 Series Series : 55 - 56 - 700 - 800 - 900 - 6200 - 6300 - 6500 - 6600 - 1300 - ISO 1 - ISO 2 - ISO 3. 	<ul style="list-style-type: none"> - pilot operated valves with pilots type 200 Series Series : 200 - 57 - 58 - 59.
<ul style="list-style-type: none"> - Pilot operated valves with pilots "CNOMO" Series : ISO1 - ISO2 - ISO3 	

1. VOLTAGE (type 100 Series)		1. VOLTAGE (type 200 Series)	
- XX Y ZZ	VOLTAGE	- XX Y ZZ	VOLTAGE
11	120 V~/60 Hz - 110 V~/50 Hz	11	120 V~/60 Hz - 110 V~/50 Hz - 24 V=
12	240 V~/60 Hz - 220 V~/50 Hz	12	240 V~/60 Hz - 220 V~/50 Hz
13	100 V~/60 Hz - 100 V~/50 Hz	13	100 V~/60 Hz - 100 V~/50 Hz
15	200 V~/60 Hz - 200 V~/50 Hz	14	200 V~/60 Hz - 200 V~/50 Hz
16	10 V~/60 Hz	20	6 V~/60 Hz
20	6 V~/60 Hz	21	12 V~/60 Hz
21	12 V~/50 Hz - 12 V~/60 Hz	22	24 V~/60 Hz - 24 V~/50 Hz
22	24 V~/60 Hz - 24 V~/50 Hz	23	32 V~/60 Hz - 32 V~/50 Hz
23	32 V~/60 Hz - 32 V~/50 Hz	24	48 V~/60 Hz - 42 V~/50 Hz
24	48 V~/60 Hz - 42 V~/50 Hz	25	240 V~/50 Hz
26	380 V~/50 Hz, 440 V~/50 Hz -440 V~/60 Hz, 480 V~/60 Hz-CLSF	26	480 V~/60 Hz - 440 V~/50 Hz
29	200 V~/60 Hz	27	127 V~/60 Hz
34	127 V~/50 Hz - 120 V~/50 Hz	28	415 V~/50 Hz
35	48 V~/50 Hz	29	200 V~/60 Hz
36	16 V~/60 Hz	30	380 V~/50 Hz
B1	24 V~/50 Hz	31	550 V~/60 Hz - 550 V~/50 Hz
50	24 V=/6 W	32	120 V~/60 Hz - 110 V~/50 Hz
51	24 V=/4 W	33	600 V~/60 Hz
54	12 V=/4 W	34	127 V~/50 Hz
55	12 V=/6 W	35	48 V~/50 Hz
57	12 V=/2,5 W	50	24 V=/6 W
59	24 V=/2,5 W	51	24 V=/4,5 W
60	12 V=/8,5 W	52	24 V=/2,5 W
61	24 V=/8,5 W	53	24 V=/1 W
64	6 V=/6 W	55	12 V=/6 W
65	32 V=/7 W	57	12 V=/2,5 W
66	48 V=/5,8 W	58	48 V=/2,5 W
67	64 V=/7,5 W	60	12 V=/9,5 W
68	120 V=/6,4 W	61	24 V=/8,5 W
69	220 V=/8,7 W - 250 V=/11,2 W CLSF	64	6 V=/8,5 W
75	90 V=/8,8 W CLSF	65	32 V=/10 W
76	100 V=/6,9 W CLSF	66	48 V=/11,5 W
84	125 V=/10,9 W CLSF	67	64 V=/10,5 W
87	24 V=/17,1 W CLSF	68	120 V=/12,3 W
88	12 V=/17,4 W CLSF	69	250 V=/9,2 W
89	36 V=/18,8 W CLSF	71	8 V=/8,2 W
90	28 V=/8,2 W	72	24 V=/12 W
91	6 V=/10,6 W CLSF	73	198 V=/10 W
92	190 V=/6,5 W	74	72 V=/11,3 W
94	3 V=/7 W	75	90 V=/11,3 W
95	38 V=/6,4 W	76	100 V=/9 W
A1	24 V=/1 W	77	220 V=/10 W - 230 V=/1,6 W
A2	12 V=/1 W	78	24 V=/24 W CLSF
A3	9 V=/1 W	80	55 V=/10,6 W CLSF
MOD. DD01 : Protection diode (DC)		82	179 V=/11,1 W
MOD. MOV1 : Protection varistor (AC)		83	15 V=/8,1 W
MOD. DD01 : max. 8,5 W		84	125 V=/10 W
MOD. MOV1 : max. 8,5 W		86	36 V=/11 W
		93	12 V=/24 W CLSF

2. MANUAL OPERATOR (Common options for 100 & 200 Series)

- XX Y ZZ	MANUAL OPERATOR
0	No operator
1	Non-locking recessed
2	Locking recessed
3	Non-locking extended
4	Locking extended

3. ELECTRICAL CONNECTION (type 100 Series)

- XX Y ZZ	ELECTRICAL CONNECTION
AA	Wiring box with 1/2" NPS conduit
BA	Flying leads
CA	1/2" NPS conduit
CC	1/2" NPS conduit
FA	Military type 2 PIN
GA	Military type 3 PIN
HA	AA with ground wire
JA*	Square connector
JB	Rectangular connector
JC*	Square connector with light
JD	Rectangular connector with light
JE	Square connector on top (ISO2, ISO3)
JF	Rectangular connector on top (ISO1, ISO2, ISO3)
JG	JE with light
JH	JF with light
JJ	Square connector, male only
JM	Rectangular connector, male only
MA	Electrical common conduit
MB	Electrical common conduit
NA	CA with ground wire
NC	CC with ground wire
RA	3/8" NPS conduit
AD	Wiring box 20 mm
AH	Wiring box PG 13,5 with ground wire
CD	20 mm conduit
CG	PG 11 conduit
HH	Wiring box PG 13,5 with ground wire
ND	20 mm conduit with ground wire
NG	PG11 conduit with ground wire
HD	20 mm wiring box with ground wire

3. ELECTRICAL CONNECTION (type 200 Series)

- XX Y ZZ	ELECTRICAL CONNECTION
AA	Wiring box with 1/2" NPS conduit
BA	Flying leads
CA	1/2" NPS conduit
CC	1/2" NPS conduit
EA	Explosion proof (200 Series)
EA	Explosion proof (57, 58 & 59 Series)
EE	Explosion proof (CENELEC)
EN	Explosion proof with ground wire
FA	Military type 2 PIN
GA	Military type 3 PIN
HA	AA with ground wire
JA*	Square connector
JC	Square connector with light
JJ	Square connector, male only
NA	CA with ground wire
NC	CC with ground wire
AD	Wiring box 20 mm
AK	PG 16 wiring box
CD	20 mm conduit
CK	PG 16 conduit
HD	20 mm wiring box with ground wire
HK	PG16 wiring box with ground wire
ND	20 mm conduit with ground wire
NK	PG16 wiring box with ground wire

* Not to be used with 100, 800 and 900 Series manifold mounting

4. WIRE LENGTH (Common options for 100 & 200 Series)

- XX Y ZZ (-VV)	WIRE LENGTH
AA	45 cm - 18"
AB	60 cm - 24"
AD	90 cm - 36"
AE	120 cm - 48"
AF	180 cm - 72"
AG	15 cm - 6"
AR	30 cm - 12"
AU	305 cm - 120"
BA	152 cm - 60"
BB	366 cm - 144"
Series 6000 : wire length, delivered with the base	
MOD L024	60 cm - 24"
MOD L036	91 cm - 36"
MOD L048	122 cm - 48"
MOD L060	152 cm - 60"
MOD L072	180 cm - 72"
MOD L120	305 cm - 120"